



■ 概述 Summary

RT14 系列圆筒形帽熔断器适用于额定电压交流**380V**，额定电流至**100A**的配电装置中作过载保护和短路保护。

本系列熔断器由高分断能力圆筒形帽熔断体和熔断器支持件组成。

熔断体

熔断体的熔体两端焊接在圆筒形端帽上，接近熔体的最热部位配置适量易熔合金，以使熔断体有较低的动作温度和耗散功率，使熔断体能适应过载而几乎不老化。

熔断器支持件

熔断器支持件是熔断器底座和载熔件的组合。底座由插座、接线端子和绝缘座等部件组成；载熔件是用来装卸和载运熔断体的熔断器可动绝缘部件。

熔断器支持件有螺钉固定和电器安装轨等安装形式。

Series RT14 fuses with cylindrical caps are applicable in distribution units with rated voltage up of 380V a. c. and rated current up to 100A for overload and short-circuit protection. The series consists of fuse-links with cylindrical caps of high rupturing capacity and fuse holders

Fuse-link

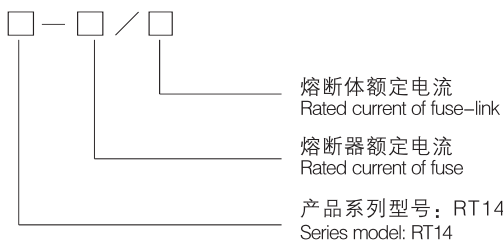
The two ends of the fuse-elements are welding connected to the cylindrical caps. Near the hottest part of the fuse-element a proper amount of low melting point alloy is applied making the fuse-link having lower action temperature and power dissipation. Thus the fuse-link may adapt to overload and hardly any aging occurs.

Fuse-holder

The fuse-holder is the assembly of fuse-base and fuse-carrier. The base is the fixed part of the fuse-holder, which is composed of electric contacts parts coordinated with the fuse-link and connecting terminals. The fuse-carrier is a movable part of the fuse-holder used to load, unload and carry the fuse-link. Two styles of screw fixing and rail mounting of fuse-holder are available.



■ 型号及其含义 Model denomination



■ 主要技术指标 Technical data

产品标准	Product standards	GB13539 IEC60269
额定工作电压	Rated operating voltage(V)	AC380
分断范围与使用类别	Breaking capacity and utilization category	gG

*熔断体 Fuse-link

尺码	Size	10X38	14X51	22X58	
额定电流	Rated current	A	2、4、6、10、16、20、(25、32)	2、4、6、10、16、20、25、32、(40、50)	10、16、20、25、32、40、50、63、(80、100)
额定耗散功率 ≤ W	Rated power dissipation ≤ W	3.0	5.0	9.5	

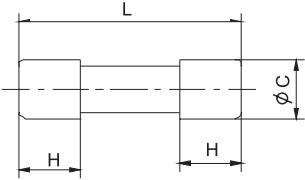
*熔断器支持件 Fuse-holder

尺码	Size	10X38	14X51	22X58
额定接受功率 ≥ W	Rated power acceptance ≥ W	3.0	5.0	9.5



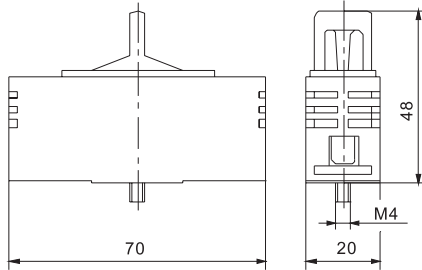
■ **外形及安装尺寸** Overall dimensions

熔断体 Fuse-link

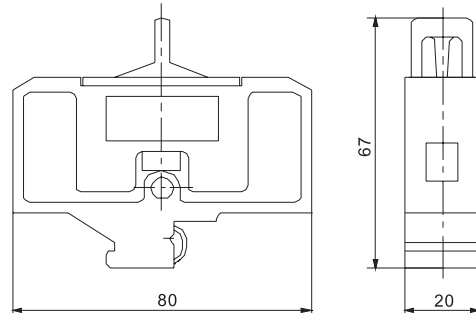


尺码 Size	尺寸 Dimensions(mm)		
	L	H max	C
10X38	38 ± 0.6	10.5	10.3 ± 0.1
14X51	51 ± $\begin{smallmatrix} 0.6 \\ 1.0 \end{smallmatrix}$	13.8	14.3 ± 0.1
22X58	58 ± $\begin{smallmatrix} 0.1 \\ 2.0 \end{smallmatrix}$	16.2	22.2 ± 0.1

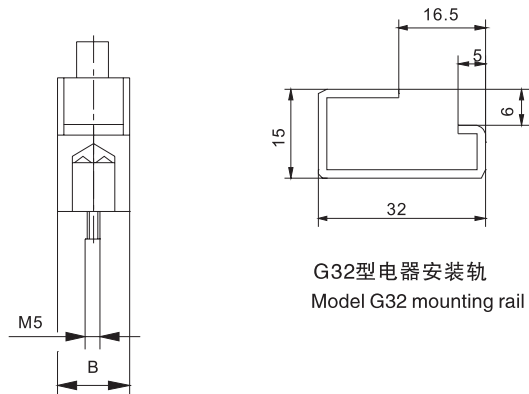
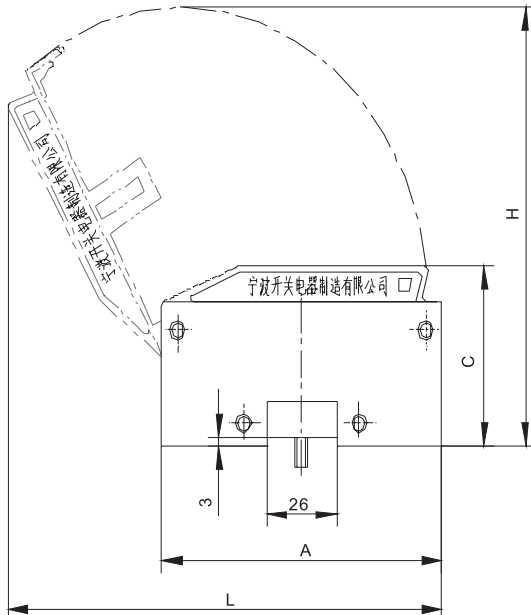
熔断器支持件 Fuse-holder



RT14-20熔断器支持件 (螺钉安装)
RT14-20 fuse-holder (for screw fixing)



RT14-20 熔断器支持件 (安装轨安装)
RT14-20 Fuse-holder (for rail mounting)



G32型电器安装轨
Model G32 mounting rail

RT14-32, RT14-63 熔断器支持件 (螺钉安装)
RT14-32, RT14-63 Fuse-holders (for screw fixing)

尺码 Size	尺寸 Dimensions(mm)				
	A	B	C	L	H
14X51	104	27	60	166	135
22X58	124	34	70	196	155

***时间-电流特性** 符合GB13939.2、IEC60269-2-1标准中有关gG熔断器的规定。

Time-current characteristics Time-current zone is according to GB13939.2 and IEC60269-2-1 for gG fuse-links. Please refer to the relevant standards.