



## ■ 概述 Summary

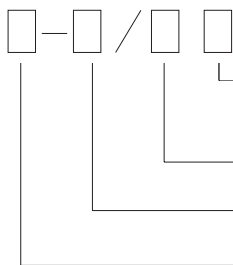
HR5 系列熔断器式隔离开关，额定电压至交流380V，额定电流至630A，适用于有高短路电流的配电电路和电动机电路中，作为手动不频繁操作的开关、隔离开关和应急开关，并作电路保护之用，但一般不适用直接开关单台电动机。

本系列开关由三极底座、带嵌入式灭弧罩的上插座、下插座和可拆卸的盖组成，盖兼作手柄并在其背面卡装熔断体。更换熔断体时可将盖从底座上卸下，以防触及带电部件。底座两侧的片状弹簧使开关具有快速分、合功能。

*Series HR5 fuse-switch-disconnector with rated voltage up to 50Hz 380V and rated current up to 630A is applicable to the distribution circuits and motor circuits with high short-circuit currents as the power switch, switch-disconnector and emergency switch for protection purpose. Generally it is not suitable for directly operating a single motor. HR5 fuse-switch-disconnector is composed of a triple-pole base, upper socket set with built-in arc chute, lower socket set and removable cover. The cover also functions as a handle and the fuse-links are fitted to its back. When replacing fuse-link, the cover can be removed from the base to avoid touching to live parts. The sheet springs on both sides of the base equip the switch with fast making breaking function.*



## ■ 型号及其含义 Model denomination



“0” —— 无熔断信号装置（辅助开关）  
 “0” — without fusing signal device(auxiliary switch)  
 “1” —— 有熔断信号装置（辅助开关）  
 “1” —with fusing signal device(auxiliary switch)  
 极数：“3” —— 3极  
 number of pole: “3” —3 poles  
 约定发热电流：100、200、400、630  
 Conventional thermal current : 100、200、400、630  
 产品系列型号：HR5  
 Series model: HR5

## ■ 主要技术指标 Technical data

产品标准	Product standards	GB14048.3 IEC60947-3				
基本规格	Basic specifications	100	200	400	630	
主电路极数	Number of the main circuits	3				
额定绝缘电压	Rated insulating voltage ( V )	690				
额定工作电压	Rated operating voltage ( V )	380				
约定发热电流	Conventional thermal current ( A )	100	200	400	630	
额定工作电流	Rated operating current ( A )	380V AC-23B A	100	200	400 630	
额定限制短路电流	Rated limited short-circuit current	380V kA	100 (COSΦ 0.2)			
操作性能	空载	次	Without load ( times )	1700	1400	800
	有载	次	With load ( times )	300	200	200
配用刀型熔断体	符合标准	Standards	GB13539, IEC60269			
	尺码	Size	000, 00	1	2	3
配用刀型熔断体	额定电流	Rated current ( A )	4 ~ 100(160*)	80 ~ 200(250*)	125 ~ 400	315 ~ 630

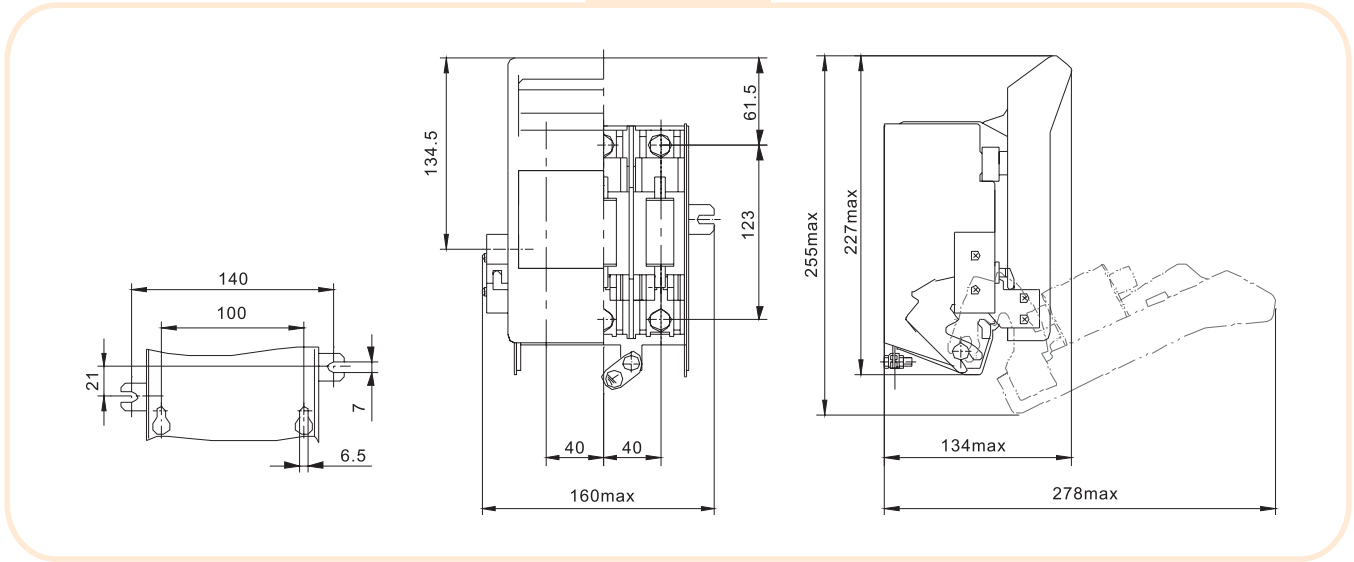
注：1）当开关用于电动机电路中，允许熔断体额定电流大于开关的额定工作电流，但连续负载电流应不超过开关的额定工作电流。  
 2）有熔断信号装置的开关应配用带熔断撞击器的熔断体。

Note: 1) The rated current of fuse-link may greater than that of the switch when used in motor circuits whereas the continuous load current is not exceeded.  
 2) Striker fuse-links should be selected for HR5 with fusing signal device.

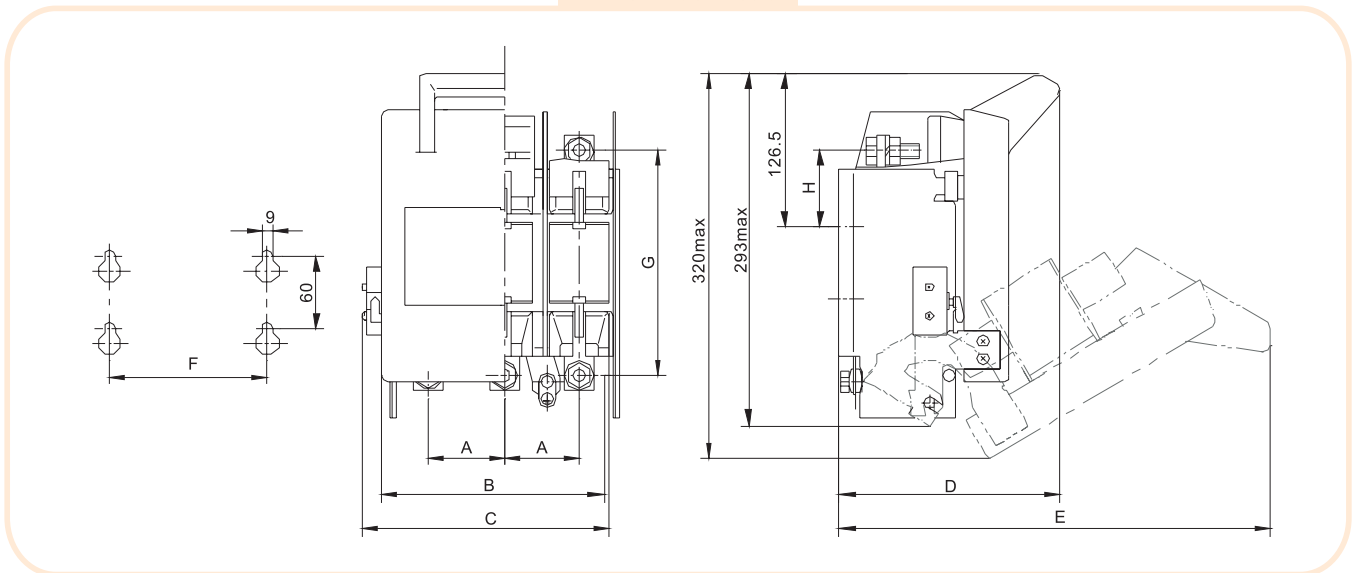


■ 外形及安装尺寸 Overall dimensions

HR5-100



HR5-200 ~ 630



■ HR5-200 ~ 630外形及安装尺寸

HR5-200 ~ 630 Overall dimensions

型号 Type	尺寸 dimension								mm
	A	B	C	D	E	F	G	H	
HR5-200	62	203	220	185	358	130	186	62.5	
HR5-400	70	226	243	200	375	130	212	75.5	
HR5-630	85	272	290	214	390	200	222	80.5	